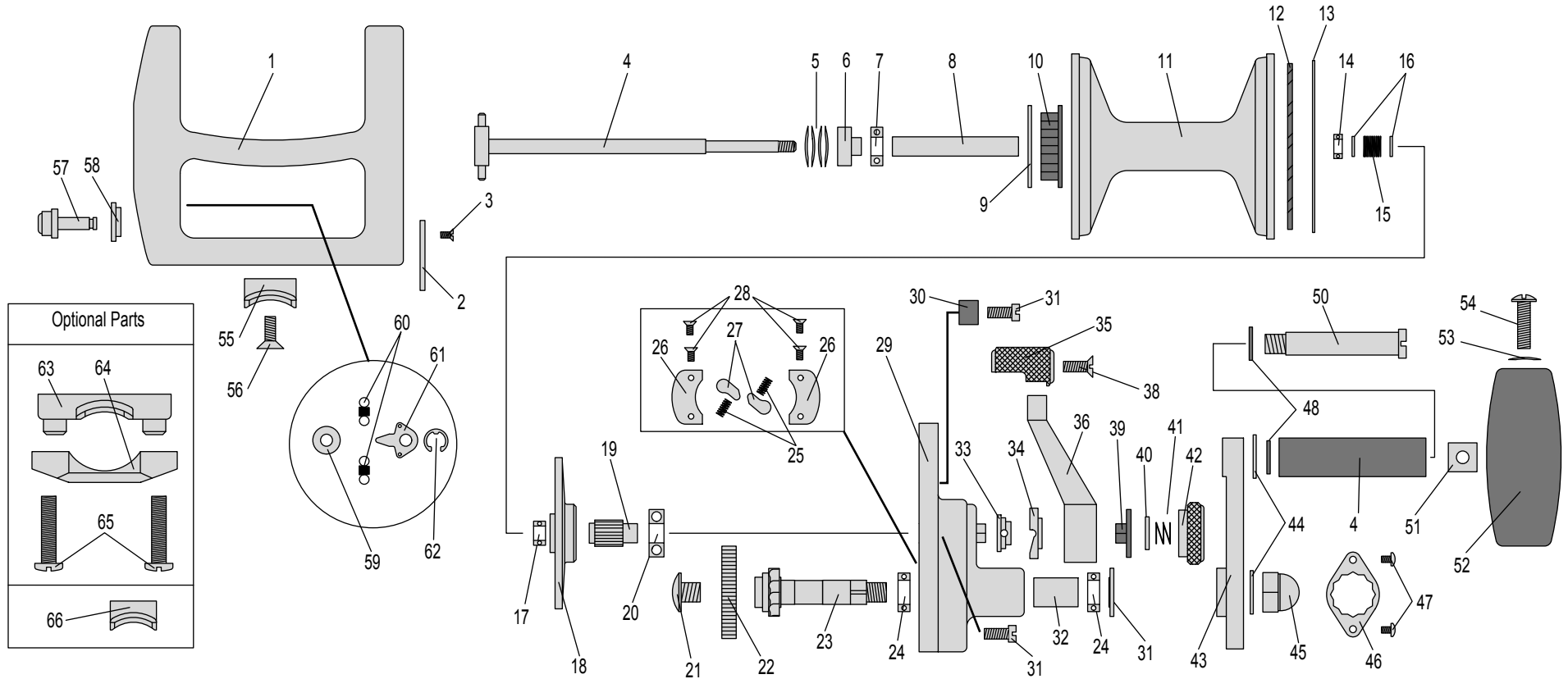


# Model - SX5.1 Parts List



1 - Main Housing 5.1 □	SX501-001	16- Spool Spring Washer (2 req.) □	SX501-016	30- Stop Pin (2 req.) □	SX501-030	45- Acorn Nut □	SX501-045	60- Clicker Spring (2 req.) □	SX501-060
2 - Gear Cover □	SX501-002	17- Brake Bearing □	SX501-017	31- Screw (5 req.) □	SX501-031	46- Locking Plate □	SX501-046	61- Clicker Arm □	SX501-061
3 - Cover Screw (2 req.) □	SX501-003	18- Brake Disk □	SX501-018	32- Spacer Tube □	SX501-032	47- Plate Screw (2 req.) □	SX501-047	62- Pin E-Clip □	SX501-062
4 - Spool Shaft □	SX501-004	19- Pinion □	SX501-019	33- Arm Spacer □	SX501-033	48- Friction Washer (2 req.) □	SX501-048		
5 - Belleville Washers (4 req.) □	SX501-005	20- Brake Bearing □	SX501-020	34- Male Cam □	SX501-034	49- Handle Stem □	SX501-049		
6 - Pusher Bushing □	SX501-006	21- Crank Shaft Screw □	SX501-021	35- Female Cam □	SX501-035	50- Handle Shoulder Bolt □	SX501-050		
7 - Spool Bearing □	SX501-007	22- Drive Gear □	SX501-022	36- Lever Arm □	SX501-036	51- Stem Insert □	SX501-051		
8 - Spool Tube □	SX501-008	23- Drive Shaft □	SX501-023	37- Arm Knob □	SX501-037	52- Handle □	SX501-052		
9 - Clicker Gear Retainer Ring □	SX501-009	24- Drive Shaft Bearing (2 req.) □	SX501-024	38- Screw □	SX501-038	53- Handle Washer □	SX501-053		
10 - Clicker Gear □	SX501-010	25- Dog Spring □	SX501-025	39- Lever Arm Bushing □	SX501-039	54- Handle Screw □	SX501-054		
11 - Spool □	SX501-011	26- Dog Cover (2 req.) □	SX501-026	40- Lever Arm Washer □	SX501-040	55- Rod Mount □	SX501-055		
12- Brake Pad □	SX501-012	27- Untireverse Dog (2 req.) □	SX501-027	41- Lever Arm Spring □	SX501-041	56- Rod Mount Screw (2 req.) □	SX501-056		
13- Brake Pad Retainer Ring □	SX501-013	28- Cover Screw (4 req.) □	SX501-028	42- Preset Knob □	SX501-042	57- Clicker Pin □	SX501-057		
14- Spool Bearing □	SX501-014	29- End Housing □	SX501-029	43- Crank Arm □	SX501-043	58- Pin Support □	SX501-058		
15- Spool Spring □	SX501-015	30- Stop Pin (2 req.) □	SX501-030	44- Washer (2 req.) □	SX501-044	59- Pin Washer □	SX501-059		

### Optional Accessories

63- Rod Mount (clamp style) □	SX501-063
64- Rod Mount Clamp □	SX501-064
65- Clamp Screw (2 req.) □	SX501-065
66- Narrow rod mount □	SX501-066